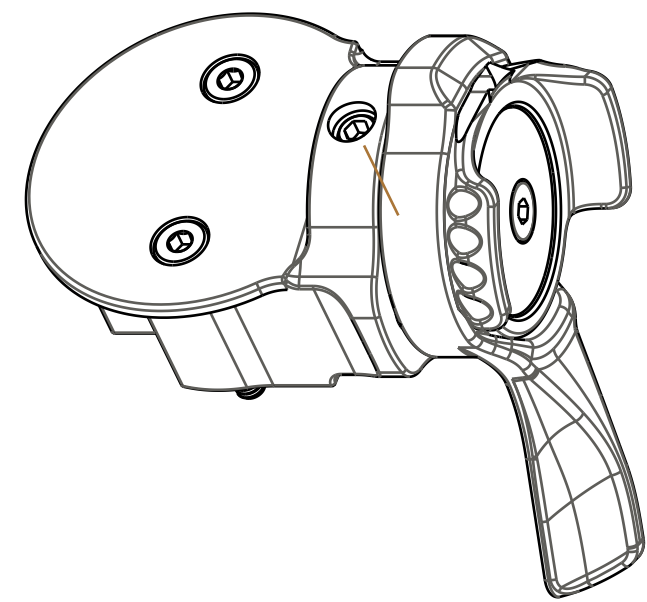


4

3

2

1

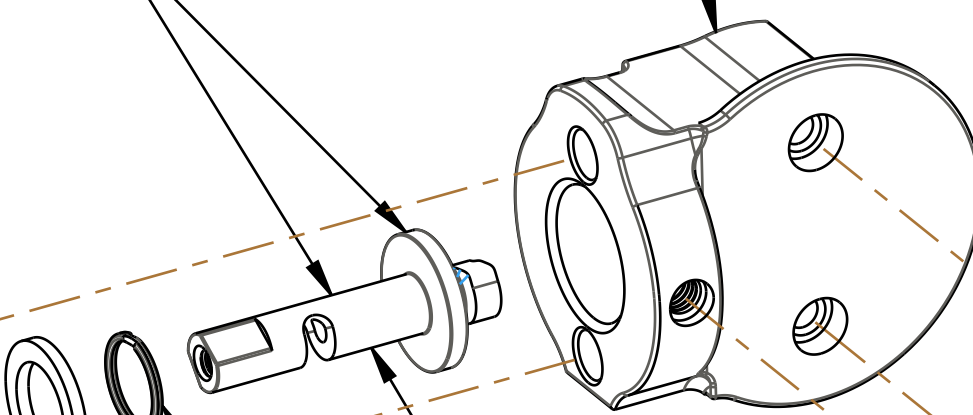


Lever, Housing, 2014 Float X [ .375 Bore, .985 Cap OD] AL, Black Ano II

(039-00-228)  
(010-01-000)

GREASE:  
THIN LAYER  
HIGH TEMP BLUE

GREASE:  
THIN LAYER  
HIGH TEMP BLUE



019-01-093  
Socket Head Cap Screw [M2 x .4 x 14mm SHLG] 18-8 SS

TORQUE:  
5 IN.LB. MAX.

TORQUE:  
FLUSH TO COUNTERBORE  
(SEE SECTON A-A)

(019-01-093)

019-02-021

Set Screw: Custom Dog Point, Radius [M3 x .5mm, .300 TLG], SS

210-22-669

Cam, CD Adj with D-Adj, 2016 Float X [ .372 OD, .813 TLG] 416SS

038-00-096  
Retaining Ring: External, .250 Shaft, Smalley, 2 Turn, 302 SS

210-22-625

Shim: Spring Retainer 2013 CTD (.250 ID x .370 OD x .035 TH), SS

039-00-244

Spring: Barrel Wound [9 lb/in, .027 wire, .220 Free Lg] 302 SS

039-00-228

Spring: Detent, 2013 CTD [ .190 TLG, .088 ID, 40 lb/in] 17-7 SS

010-01-000

Ball [Ø 0.1250] Steel

234-04-431

Lever, CD Adj 2014 Float X, 6061-T6, Blue Ano II

210-03-191

Knob, T-Adj 2014 Float X, AL, Black Ano II

234-04-919

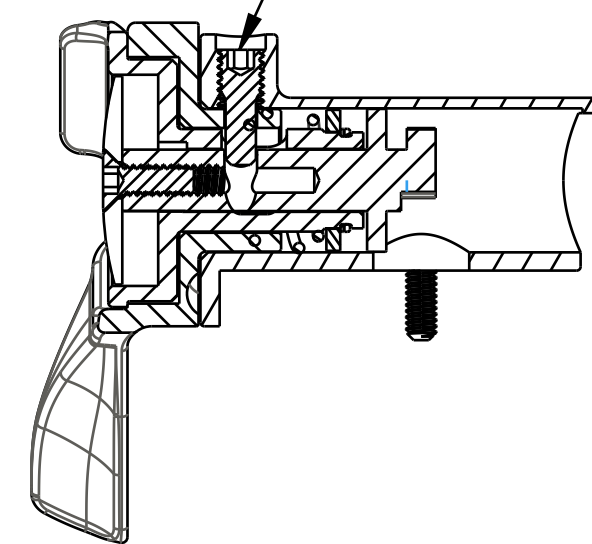
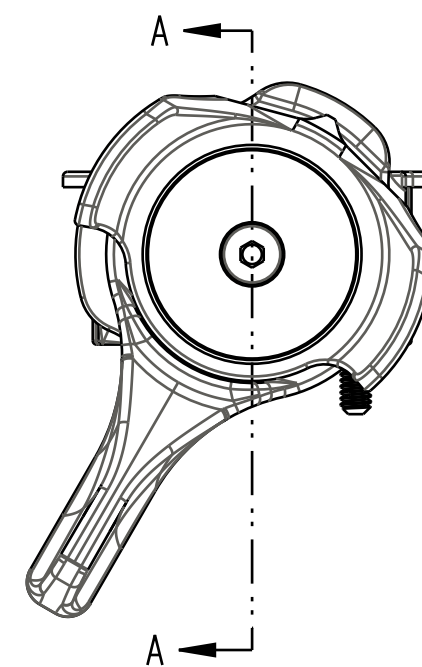
Cover Plate, T-Adj Knob, 2014 Float X, AL, Black Ano II

019-01-071

Screw [M2 x 8mm] Socket, Flathead, SST

TORQUE:  
FLUSH TO  
COUNTERBORE

VIEW A



SECTION A-A

**FOX** FOX Factory, Inc. Ph 831-768-1100  
130 Hangar Way, Watsonville, CA 95076 USA Fax 831-768-9312

TITLE  
Lever Housing Assy:  
2016 Float X D-Adj

SIZE DWG. NO.  
**C** 820-07-121-KIT

PLOT SCALE 2:1 SHEET 1 OF 1

PROPRIETARY  
THIS DOCUMENT CONTAINS CONFIDENTIAL, PROPRIETARY INFORMATION  
THAT IS FOX PROPERTY. DO NOT DISCLOSE TO OR DUPLICATE  
FOR OTHERS EXCEPT AS AUTHORIZED BY FOX.

4

3

2

ProE ASSEM