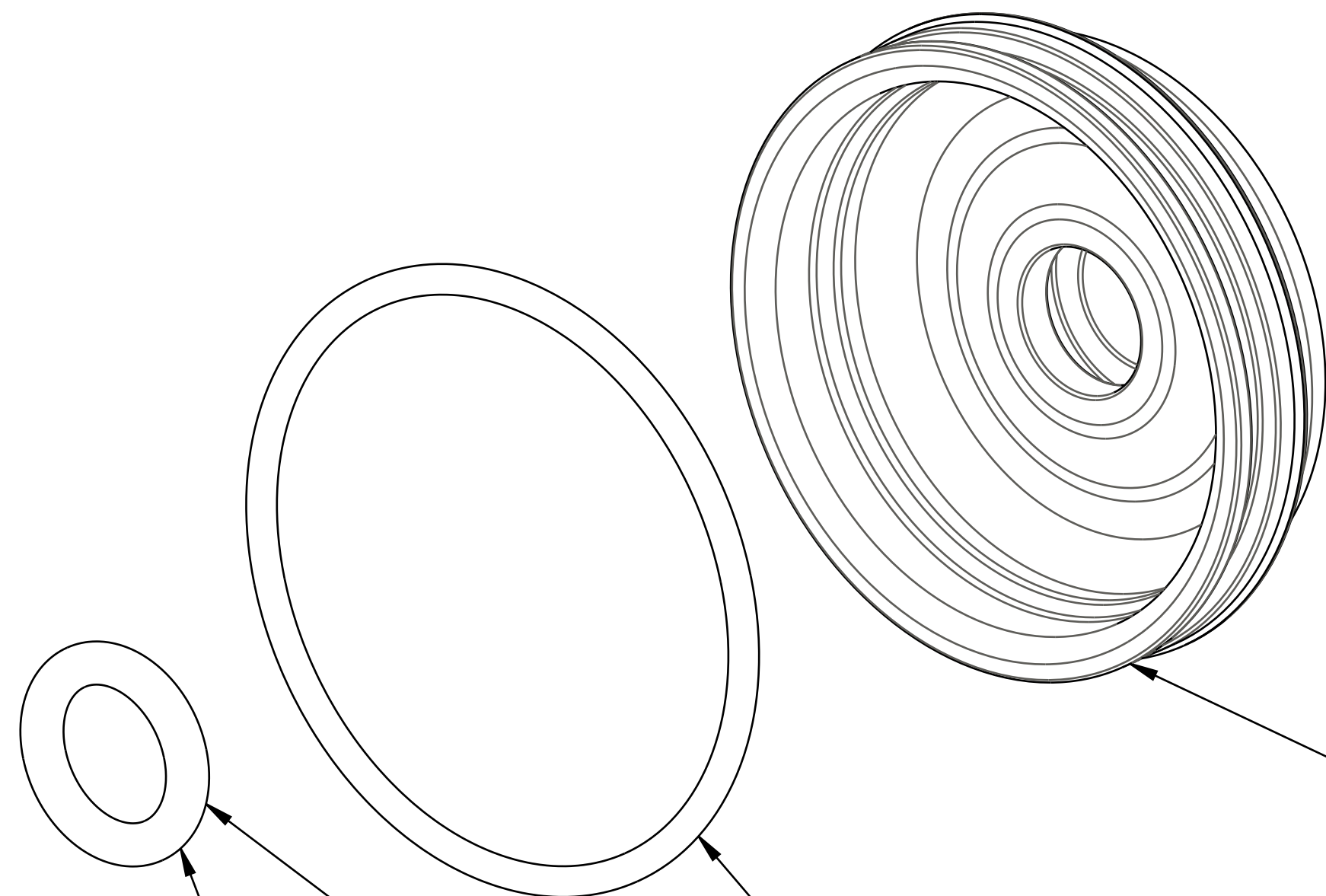


4

3

2

1

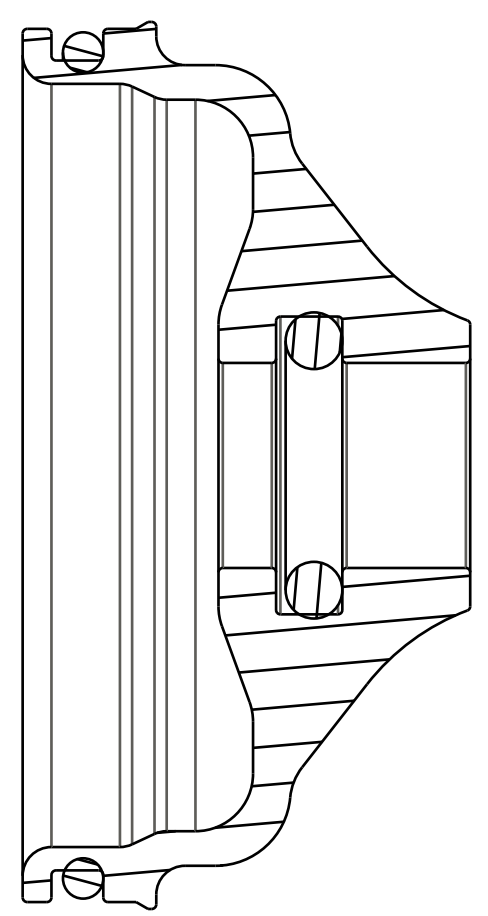


Bulkhead, Dual Travel 2, FLOAT X, 5mm Travel Spacer, Red Ano, 2018

029-00-028  
Seals: O-Ring [(-028) .070 C.S. X 1.364 ID] Standard N674-70, Dynamic

GREASE:  
THIN LAYER  
OF SLICK HONEY

029-00-112  
Seals: O-Ring [(-112) .103 C.S. X .487 ID] Standard N674-70, Dynamic



SECTION A-A

<b>FOX</b> <b>FOX Factory, Inc.</b>		Ph 831-768-1100
130 Hangar Way, Watsonville, CA 95076 USA		Fax 831-768-9312
TITLE <b>Assy, Bulkhead, 1/2" shaft, 5mm Travel Spacer, Red Ano, 2017, Dual Travel 2</b>		
SIZE <b>C</b>	DWG. NO. <b>815-00-084-KIT</b>	
PLOT SCALE 3.00:1		SHEET 1 OF 1

- PROPRIETARY -  
THIS DOCUMENT CONTAINS CONFIDENTIAL, PROPRIETARY INFORMATION  
THAT IS FOX PROPERTY. DO NOT DISCLOSE TO OR DUPLICATE  
FOR OTHERS EXCEPT AS AUTHORIZED BY FOX.

4

3

2

1