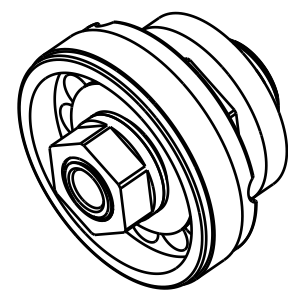


4

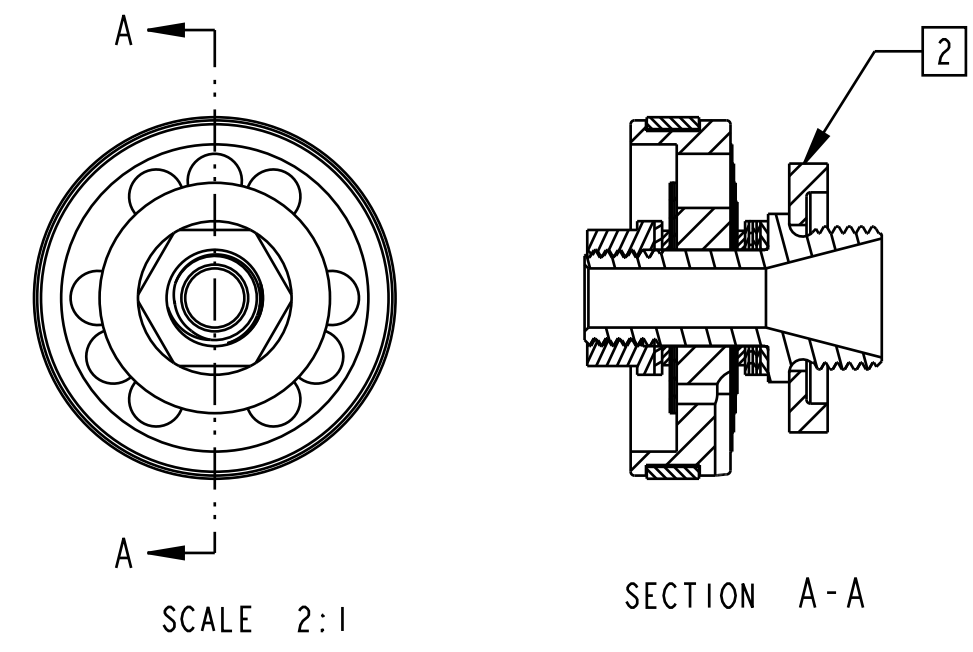
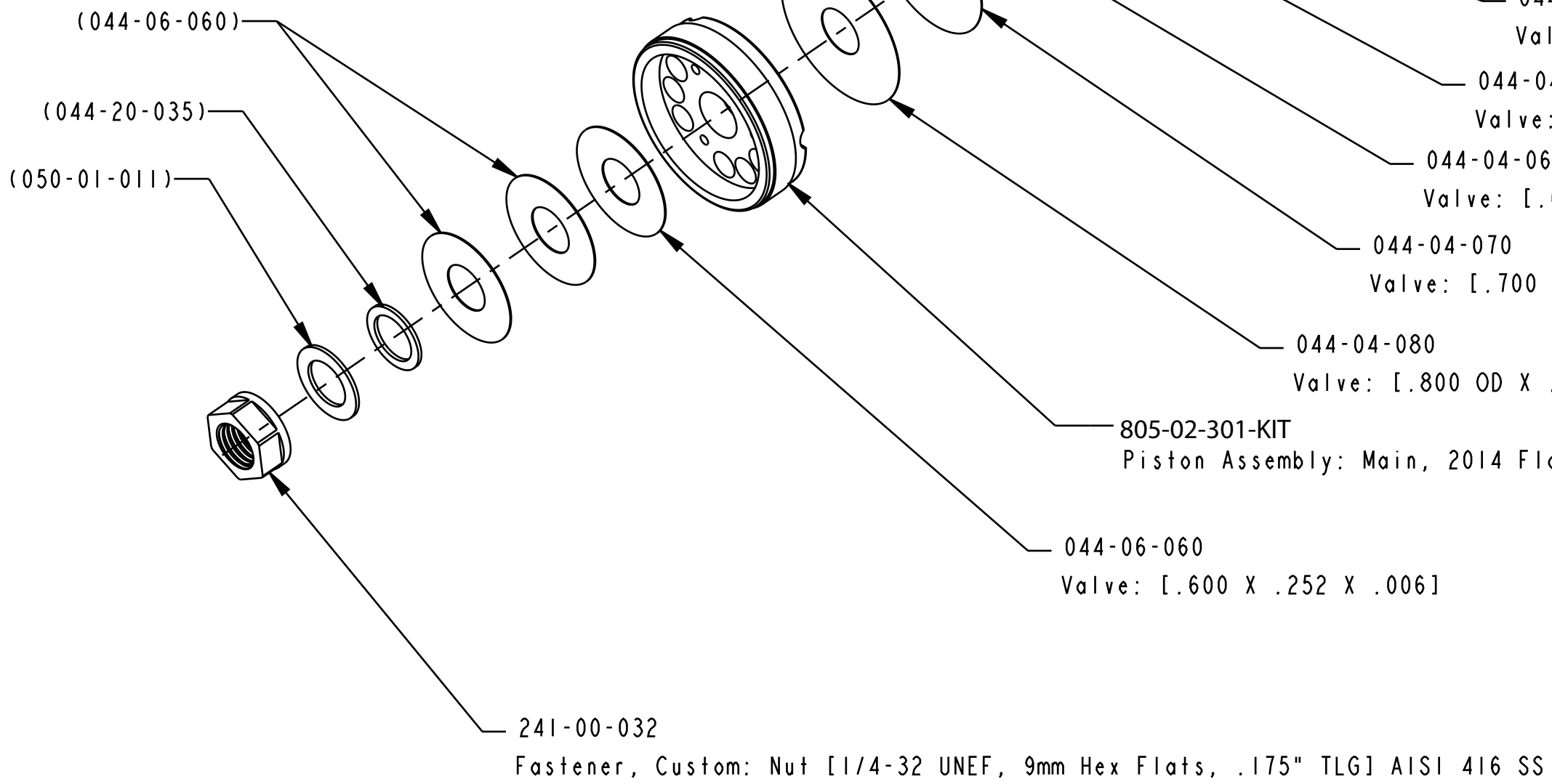
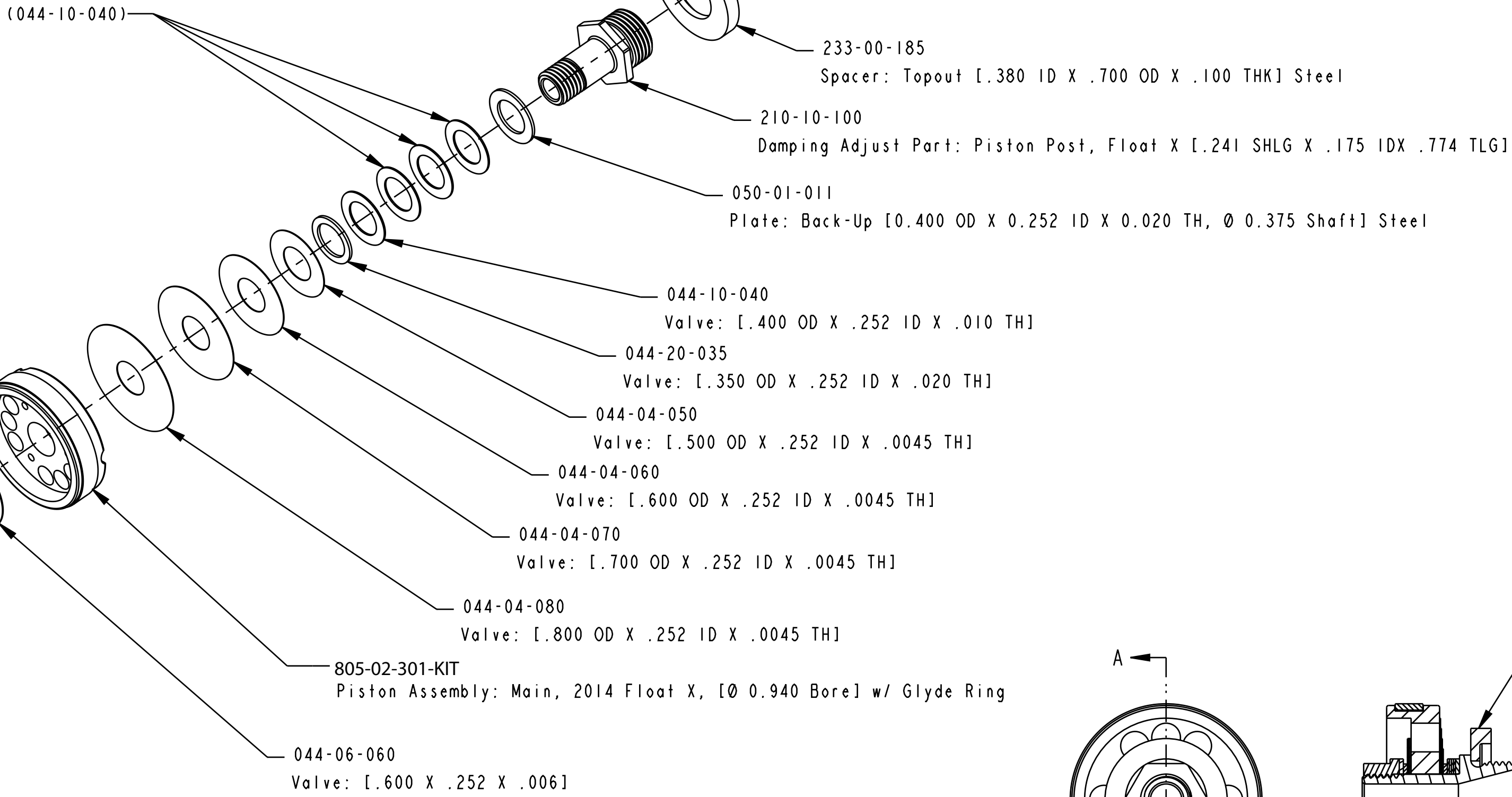
3

2

1



PART ORIENTATION IS CRITICAL TO FUNCTION



PROPRIETARY - THIS DOCUMENT CONTAINS CONFIDENTIAL, PROPRIETARY INFORMATION THAT IS FOX PROPERTY. DO NOT DISCLOSE TO OR DUPLICATE FOR OTHERS EXCEPT AS AUTHORIZED BY FOX.

FOX		FOX Factory, Inc.		Ph 831-768-1100
TITLE		130 Hangar Way, Watsonville, CA 95076 USA		Fax 831-768-9312
		Valving Assy: 2014 Float X CTD, CM, RTM		
SIZE	DWG. NO.	807-72-150-KIT		
C				
PLOT SCALE 1.5:1		SHEET 1 OF 1		

4

3

2

1

ProE ASSEM