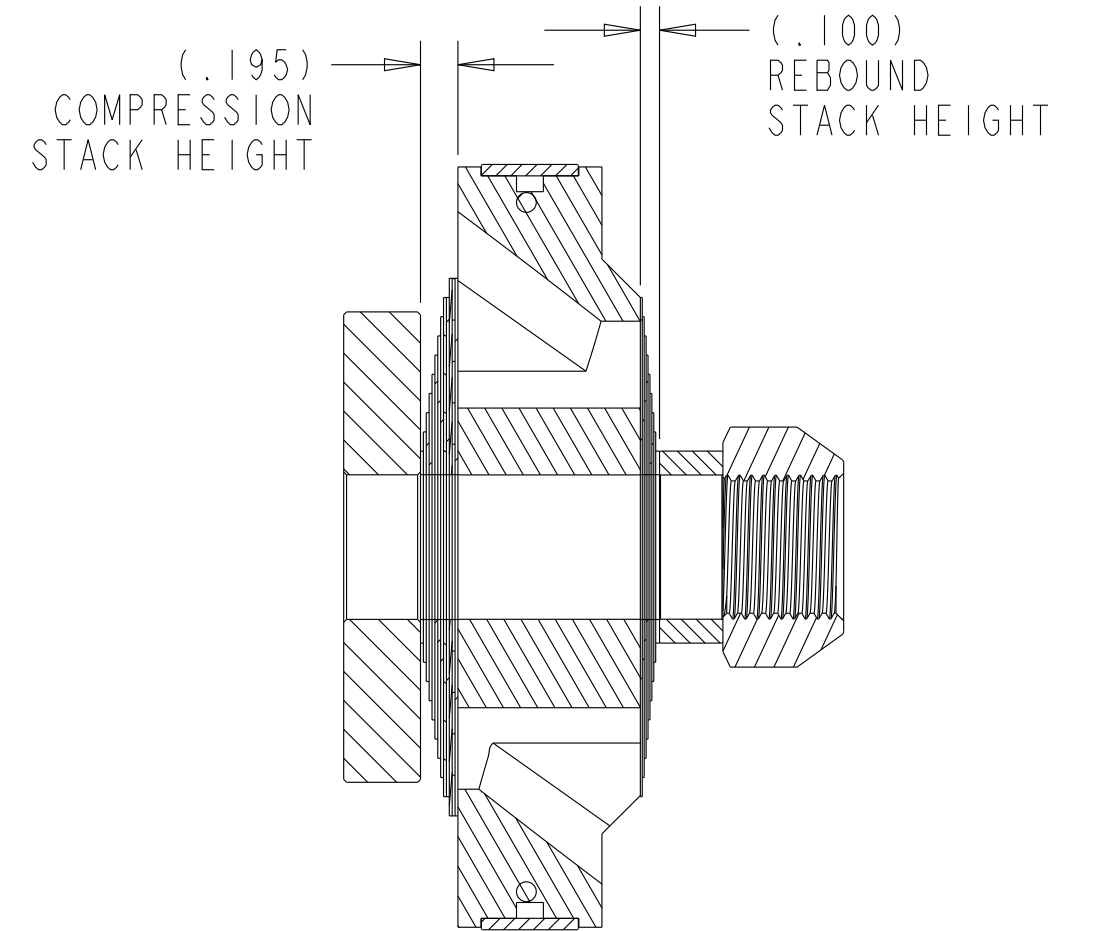
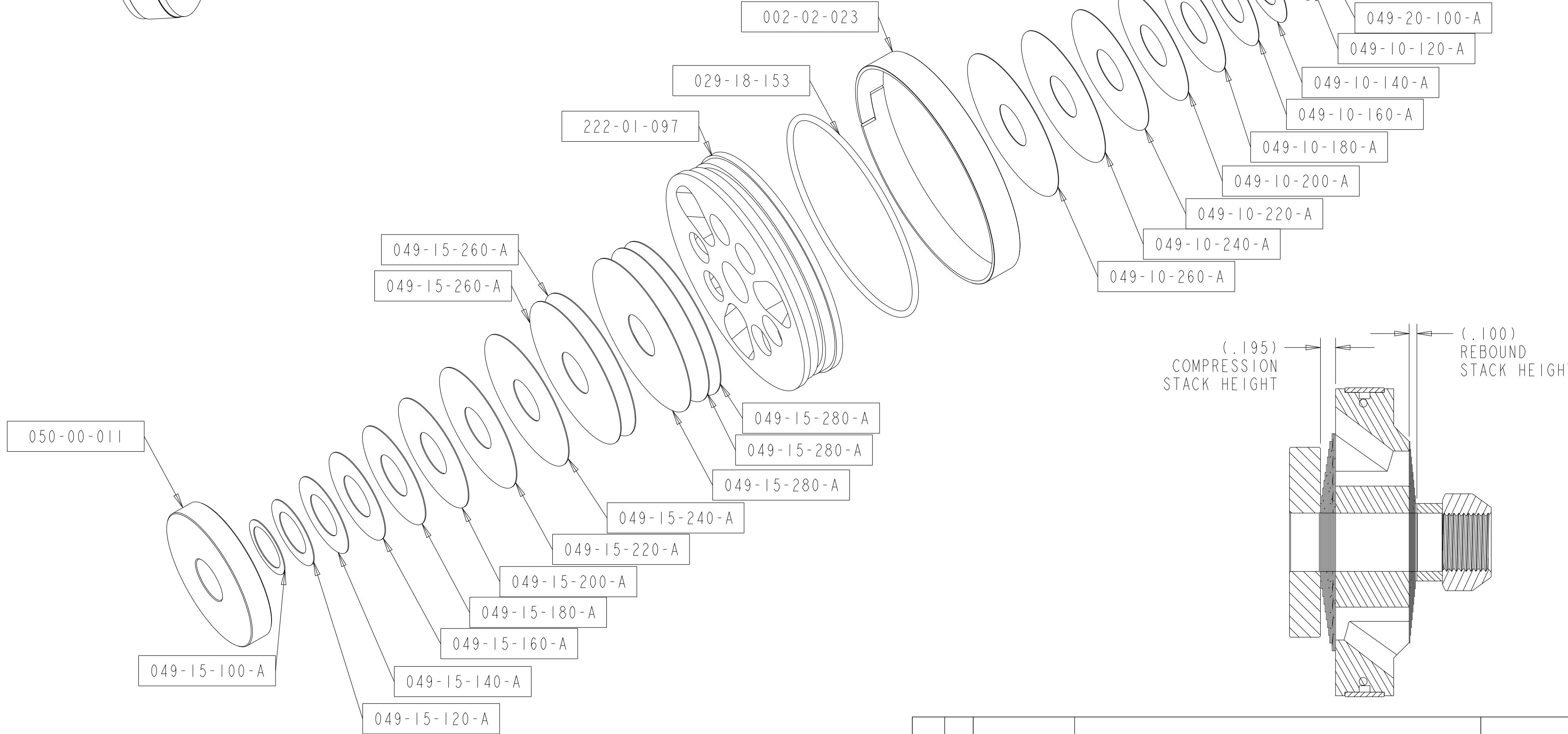
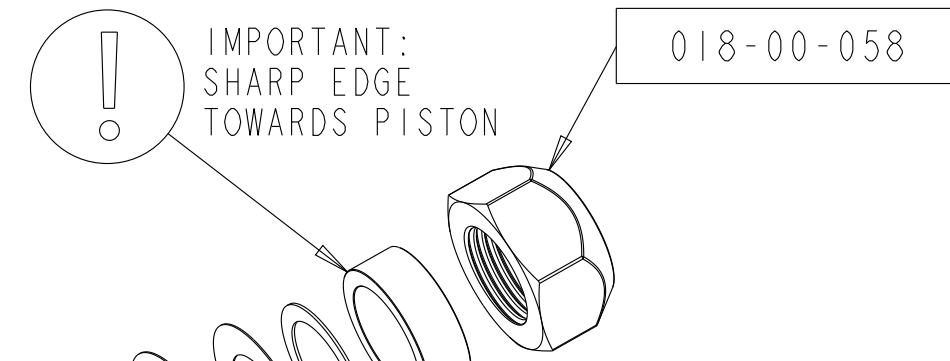
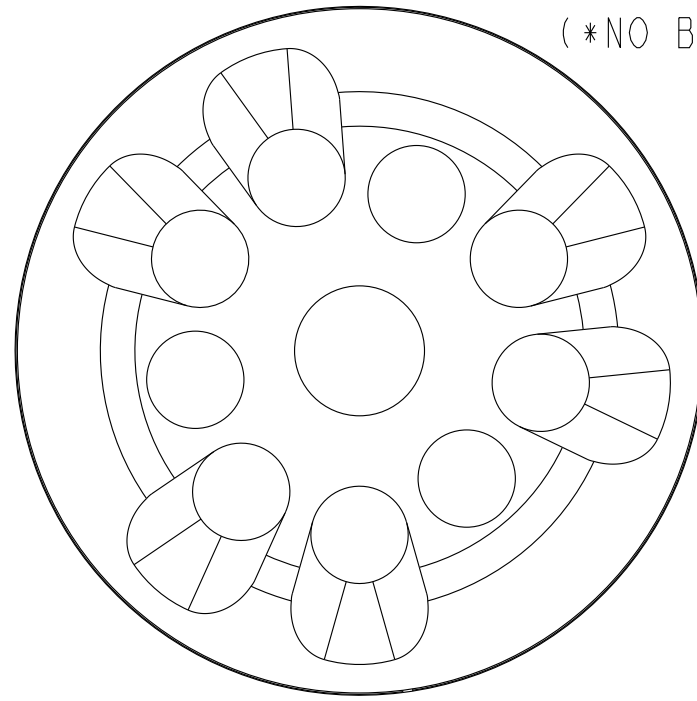
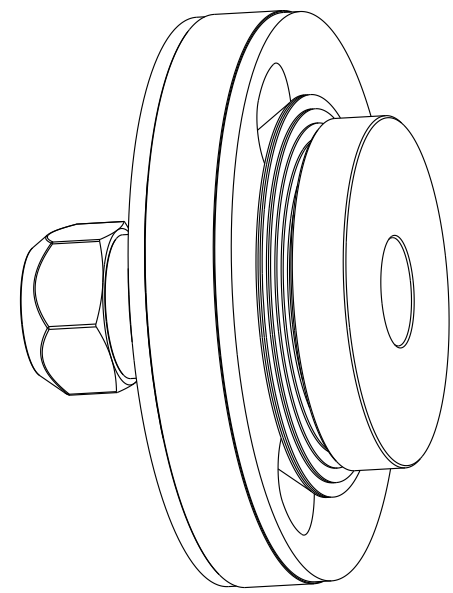


— PROPRIETARY —
 THIS DOCUMENT CONTAINS CONFIDENTIAL, PROPRIETARY INFORMATION
 THAT IS FOX PROPERTY. DO NOT DISCLOSE TO OR DUPLICATE
 FOR OTHERS EXCEPT AS AUTHORIZED BY FOX.

REVISIONS				
ZONE	REV	DESCRIPTION	DATE	APPROVED
	A	PRODUCTION RELEASE	2/8/18	CR

(*NO BLEED*)



- NOTES:
1. REFERENCE: 3,2/50 (NO BLEED)
 2. FIRST APPLICATION: 4.4 SERIES BYPASS

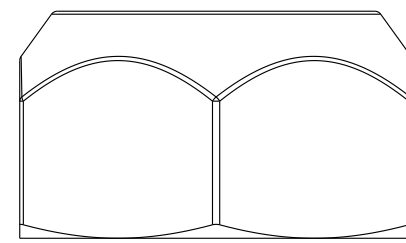
ITEM NO.	QTY.	PART NUMBER	DESCRIPTION	MATERIAL SPEC
UNLESS OTHERWISE SPECIFIED DIMENSIONS ARE IN INCHES [MM]		PER ASME Y14.5M 1994		
TOLERANCES ARE:		FOX Factory, Inc. 130 Hangar Way, Watsonville, CA 95076 USA, Ph 831-768-1100, Fax 831-768-9312		
DECIMALS	ANGLES	APPROVALS	DATE	VALVING ASSEMBLY: 4.4 FACTORY SERIES, TUNED COMBINATION 901 PART NO. 807-24-901
.XX [.X] ± .01 [0,25]	± 1°	DWN. BY M. SHELTON	2/8/18	
.XXX [.XX] ± .005 [0,13]		CHK. BY		
THIRD ANGLE PROJECTION		ENG. C. RAHDEES	2/8/18	
		MFG.		SIZE C
		ADD.		PART NO. 807-24-901
				PLOT SCALE 1.00:1
				SHEET 1 OF 2

4

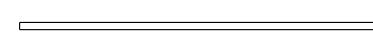
3

2

1



BACK UP WASHER



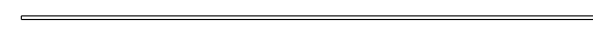
1.000 X .015



1.200 X .010



1.400 X .010



1.600 X .010



1.800 X .010



2.000 X .010



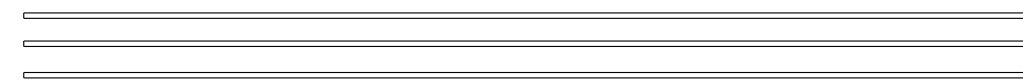
2.200 X .010



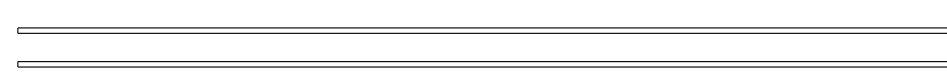
2.400 X .010



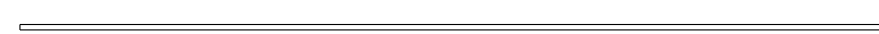
2.600 X .010



(3X) 2.800 X .015



(2X) 2.600 X .015



2.400 X .015



2.200 X .015



2.000 X .015



1.800 X .015



1.600 X .015



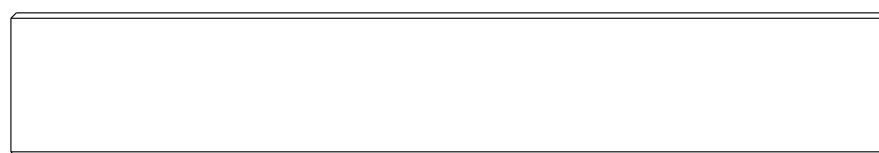
1.400 X .015



1.200 X .015



1.000 X .015



TOP OUT WASHER

D

D

C

C

B

B

A

A

— PROPRIETARY —
 THIS DOCUMENT CONTAINS CONFIDENTIAL, PROPRIETARY INFORMATION
 THAT IS FOX PROPERTY. DO NOT DISCLOSE OR DUPLICATE
 FOR OTHERS EXCEPT AS AUTHORIZED BY FOX

SIZE C	CAGE NO. NONE	DWG. NO. 807-24-901	REV. 1
PLOT SCALE 1.000		INCHES	SHEET 2 OF 2

4

3

2

1